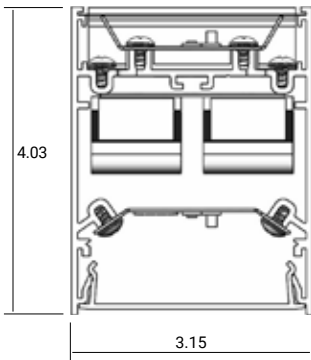
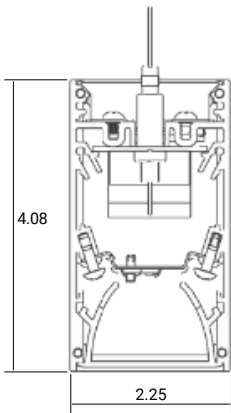


# 480 | LUPINE

480LP[2,3]-P-ID|CIRCADIAN|INDIRECT/DIRECT|PENDANT



## FEATURES

- 480 showcases sunlight-inspired, patented engineered-spectrum technology to promote the natural wake-sleep cycle
- Features narrow 2in aperture that enables contemporary design and "lines of light" creation. Illuminated corners and 3in aperture are also available to match architectural designs.
- Dynamic light matches sunlight as it transitions from alert promoting GoodDay® to blue depleted GoodNight® for evenings to reduce circadian rhythm disruption making it ideal for spaces occupied 24/7, such as senior care, hospitals, and shift work settings.
- The static GoodDay spectrum, available in 5000K, 4000K, 3500K, and 3000K CCT, features a boost in 480nm and is the best solution for daytime intensive applications, such as schools and 9–5 office spaces.
- Indirect light source provides a batwing distribution to uniformly illuminate the ceiling and create volume in a space.
- Intensity and spectrum (for dynamic) are controlled via 0–10V inputs for simple integration with a building's control system.
- Direct source shielding features a snap in diffused acrylic lens .
- Standard lengths of 4ft and 8ft sections are offered. Custom sections in 1ft increments from 2ft to 8ft can also be made available. Please consult with your sales and agents for custom lengths.
- Individual units may be joined end to end to form linear runs reducing installing costs by requiring only a single power drop per linear run (run length restrictions apply).
- Complementary luminaires include LUPINE surface, wall mount and recessed.

**SPECIFICATIONS** *All data shown is nominal*

SOURCE	
LED	Static GoodDay Engineered Spectrum Dynamic GoodDay & GoodNight Engineered Spectrum
CCT	5000K, 4000K, 3500K, or 3000K GoodDay 2200K or 2700K GoodNight (Dynamic)
Lumen Output	5400Lm GoodDay 5000K
Melanopic/Photopic (M/P) Ratio	0.93 GoodDay 5000K 0.33 GoodNight (Dynamic)
CRI	90 GoodDay 5000K, 4000K, 3500K, 3000K 80 GoodNight (Dynamic)
R9	90 GoodDay 4000K, 3500K, 3000K; 50 GoodDay 5000K 40 GoodNight (Dynamic)
Color Chromaticity	SDCM ≤ 5
LED Lifetime to L80	> 69000 Hrs

OPTICAL	
Lens	Snap in diffuse lens; acrylic

ELECTRICAL	
Input Voltage	120–277V
Frequency	50/60Hz
Power Consumption	56W per 4 Ft
Efficacy @ GoodDay	96Lm/W
Power Factor	≥ 0.9
THD	< 20%
Dimming Range	10–100%
Control Protocol	0–10V

MECHANICAL	
Housing	Extruded aluminum
End Caps	Die cast aluminum; no exposed fasteners
Finish	Low gloss white powder coated
Connectors	Quick connects
Operating Temperature	- 20C / + 45C (tCase)
Cable Suspension	18 in, 36 in, 72 in, 144 in adjustable cable or stem mounts

CERTIFICATIONS & WARRANTY	
Certifications	UL Listed
Environment	Suitable for Damp Locations
Warranty	5 year limited



LUMINAIRE ORDERING

EXAMPLE: 480LP2-P-ID L 4 S 22 50 Z MVO WHT; 480LP3-P-ID L 4 30 Z MVO WHT

Luminaire Type	Shielding	Length (Nominal)	Position (Field Used For 2" Only)	CCT Channel 1
<b>480LP2-P-ID</b> 2" Direct Pendant	<b>L</b> Snap-in Diffuse Lens	<b>4</b> 4 ft	<b>Blank</b> None (for 3" and 4")	<b>Blank</b> None (for static, GoodDay only)
<b>480LP3-P-ID</b> 3" Direct Pendant		<b>8</b> 8 ft	<b>I</b> Individual	<b>22</b> 2200K GoodNight
			<b>S</b> Starter	<b>27</b> 2700K GoodNight
			<b>J</b> Joiner	
			<b>E</b> Ender	

CCT Channel 2	Control	Voltage	Finish	Integrated Sensor <sup>1</sup>	Options
<b>50</b> 5000K GoodDay	<b>Z</b> 0-10V (2) Intensity & CCT	<b>MVO</b> 120-277V	<b>WHT</b> Low Gloss White	<b>Blank</b> None	<b>Blank</b> None
<b>40</b> 4000K GoodDay				<b>DAY</b> Daylight Sensor	<b>FF</b> Fuse - Fast Blow
<b>35</b> 3500K GoodDay				<b>OCC</b> Occupancy Sensor	<b>FS</b> Fuse - Slow Blow
<b>30</b> 3000K GoodDay				<b>DOC</b> Daylight & Occupancy Sensor	<b>EC</b> Emergency Circuit
					<b>EB</b> Emergency Battery
					<b>EH</b> Emergency Harness
					<b>EPC</b> Emergency Power Feed Cord
					<b>BC</b> Black Power Cord

<sup>1</sup> 4 ft minimum fixture section required to accommodate sensor

POWER FEED & HARDWARE ORDERING

EXAMPLE: (1) SFD-C-9C-FA-36-MVO-GDN, (2) NP-Y-9C-FA-36; (1) Standard power feed with cable and (2) additional suspension cables for a 16ft row

Kit	Suspension Type	Ceiling	Adjustability
<b>SFD</b> Standard Power Feed	<b>C</b> Single Point Cable	<b>HC</b> Hard Ceiling	<b>Blank</b> Stem Mount
<b>ECF</b> Emergency Circuit Feed	<b>S</b> Stem Mount	<b>SC</b> Screw Set Clip	<b>FA</b> Fully Adjustable
<b>NP</b> Non-power Feed		<b>15C</b> 15/16" Tee Clip	
		<b>9C</b> 9/16" Tee Clip	

Length	Voltage	Wiring
<b>18</b> 24 in	<b>Blank</b> Non-power feed	<b>Blank</b> Non-power feed
<b>36</b> 42 in	<b>MVO</b> 120-277V	<b>GDN</b> 0-10V (2) Intensity & CCT
<b>72</b> 78 in		
<b>144</b> 150 in		

### END CAP ORDERING

EXAMPLE: 480LP3-P-ID EP WHT

Luminaire Type	End Cap Kit	Finish
<b>480LP2-P-ID</b> 2" Indirect/Direct Pendant	<b>EP</b> Cable mount end plate	<b>WHT</b> White
<b>480LP3-P-ID</b> 3" Indirect/Direct Pendant	<b>SEP</b> Stem mount end plate	

### CORNER ORDERING

EXAMPLE: 480LP3-P-ID H9 22 50 Z MVO WHT

Luminaire Type	Corner Type	CCT Channel 1	CCT Channel 2
<b>480LP2-P-ID</b> 2" Indirect/Direct Pendant	<b>H9</b> Horizontal	<b>Blank</b> None (for static, GoodDay Only)	<b>50</b> 5000 K GoodDay
<b>480LP3-P-ID</b> 3" Indirect/Direct Pendant		<b>22</b> 2200 K GoodNight	<b>40</b> 4000 K GoodDay
		<b>27</b> 2700 K GoodNight	<b>35</b> 3500 K GoodDay
			<b>30</b> 3000 K GoodDay

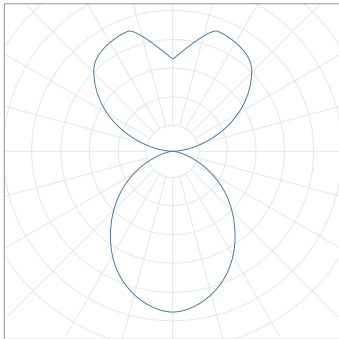
  

Control	Voltage	Finish	Options
<b>Z</b> 0-10V (2) Intensity & CCT	<b>MVO</b> 120-277V	<b>WHT</b> Low Gloss White	<b>Blank</b> None
			<b>FF</b> Fuse - Fast Blow
			<b>FS</b> Fuse - Slow Blow
			<b>EC</b> Emergency Circuit

### PERFORMANCE *All data shown is nominal*

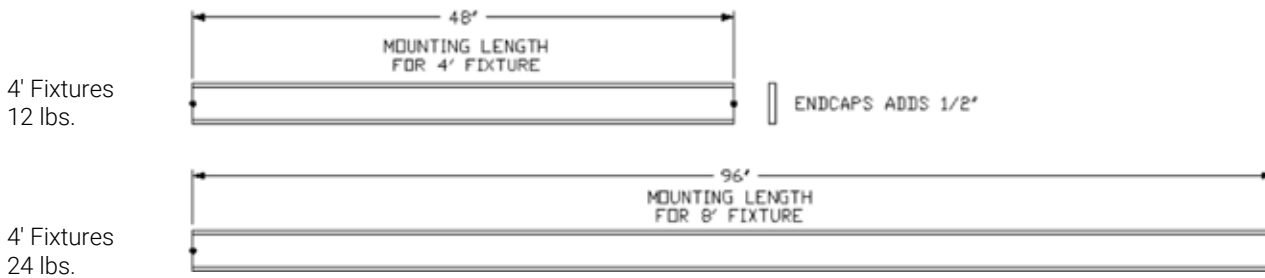
	CCT	M/P Ratio	CRI	R9	Lumen Output (Lm)	Watts (W)	Efficacy (Lm/W)	Lumen Per Foot (Lm/ft)
<b>2 in Lupine</b>	5000K	0.93 ± 0.02	90	50	5400	56W	96	1350
	4000K	0.83 ± 0.02	90	90	5130	56W	91	1280
	3500K	0.73 ± 0.02	90	90	5000	56W	89	1250
	3000K	0.63 ± 0.02	90	90	4870	56W	86	1210

**CANDELA CURVE**

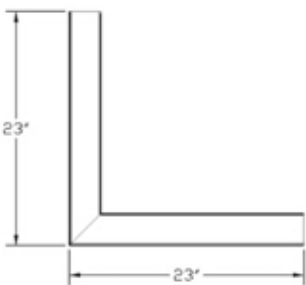


- **Distribution:** 50% UP / 50% DOWN
- **Delivered Lumens:** 5400lm GoodDay (per 4ft), 480LP2-P-ID
- **Input Watts:** 56W (per 4ft)
- **Efficacy:** 96 lm/W

**DIMENSIONS**



**CORNERS**



**MOUNTING TYPES**

