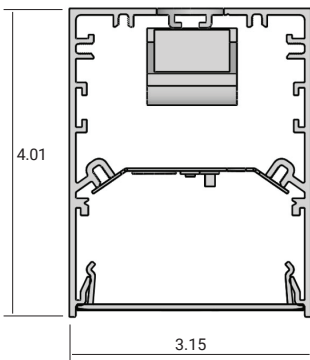
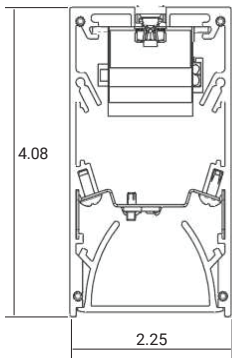
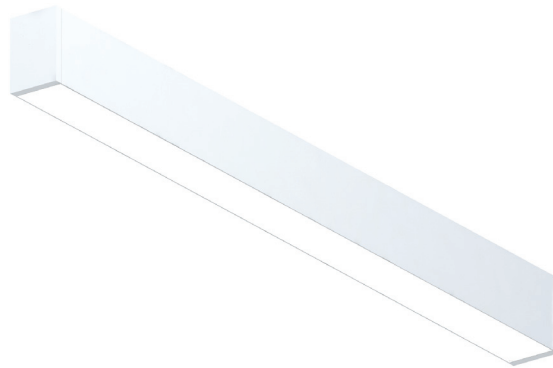


480 | LUPINE

480LP[2,3,4]-W | CIRCADIAN LED | INDIRECT/DIRECT | WALL



FEATURES

- 480 showcases sunlight-inspired, patented engineered-spectrum technology to promote the natural wake-sleep cycle
- Features narrow 2in aperture that enables contemporary design and "lines of light" creation. 3in or 4in aperture are also available to match architectural designs.
- Dynamic light matches sunlight as it transitions from alert promoting GoodDay® to blue depleted GoodNight® for evenings to reduce circadian rhythm disruption making it ideal for spaces occupied 24/7, such as senior care, hospitals, and shift work settings.
- The static GoodDay spectrum, available in 5000K, 4000K, 3500K, and 3000K CCT, features a boost in 480nm and is the best solution for daytime intensive applications, such as schools and 9–5 office spaces.
- Intensity and spectrum (for dynamic) are controlled via 0–10V inputs for simple integration with a building's control system.
- Direct source shielding features a snap in diffused acrylic lens.
- Standard lengths of 4ft and 8ft sections are offered. Custom sections in 1ft increments from 2ft to 8ft can also be made available. Please consult with your sales and agents for custom lengths.
- Individual units may be joined end to end to form linear runs reducing installing costs by requiring only a single power drop per linear run (run length restrictions apply).
- Complementary luminaires include LUPINE pendant, surface mount, and recessed.

SPECIFICATIONS *All data shown is nominal*

SOURCE	
LED	Static GoodDay Engineered Spectrum Dynamic GoodDay & GoodNight Engineered Spectrum
CCT	5000K, 4000K, 3500K, or 3000K GoodDay 2200K or 2700K GoodNight (Dynamic)
Lumen Output	5400Lm GoodDay 5000K
Melanopic/Photopic (M/P) Ratio	0.93 GoodDay 5000K 0.33 GoodNight (Dynamic)
CRI	90 GoodDay 5000K, 4000K, 3500K, 3000K 80 GoodNight (Dynamic)
R9	90 GoodDay 4000K, 3500K, 3000K; 50 GoodDay 5000K 40 GoodNight (Dynamic)
Color Chromaticity	SDCM ≤ 5
LED Lifetime to L80	> 69000 Hrs

OPTICAL	
Lens	Snap in diffuse lens; acrylic

ELECTRICAL	
Input Voltage	120–277V
Frequency	50/60Hz
Power Consumption	40W per 4 Ft
Efficacy @ GoodDay	Up to 87.5Lm/W
Power Factor	≥ 0.9
THD	< 20%
Dimming Range	10–100%
Control Protocol	0–10V

MECHANICAL	
Housing	Extruded aluminum
End Caps	Die-cast aluminum; no exposed fasteners
Finish	Low gloss white powder coated
Operating Temperature	- 20C / + 45C (tCase)
Connectors	Quick connects
Mounting	Orient wall mount bracket for either Indirect or Direct distribution

CERTIFICATIONS & WARRANTY	
Certifications	UL Listed
Environment	Suitable for Damp Locations
Warranty	5 year limited



LUMINAIRE ORDERING

EXAMPLE: 480LP2-W 4 E 22 50 Z MVO WHT; 480LP3-W L 4 40 Z MVO WHT

Luminaire Type	Shielding	Length (nominal)	Position (Field Used For 2 in Only)	CCT Channel 1	CCT Channel 2
480LP2-W 2 in Wall	L Snap-in Diffuse Lens	4 4 ft	Blank None (for 3 and 4 in)	Blank None (for static, GoodDay only)	50 5000K GoodDay
480LP3-W 3 in Wall		8 8 ft	I Individual	22 2200K GoodNight	40 4000K GoodDay
480LP4-W 4 in Wall			S Starter	27 2700K GoodNight	35 3500K GoodDay
			J Joiner		30 3000K GoodDay
			E Ender		

Control	Voltage	Finish	Integrated Sensors	Options
Z 0-10V (2) Intensity & CCT	MVO 120-277 V	WHT Low Gloss White	Blank None	Blank None
			DAY Daylight Sensor	FF Fuse - Fast Blow
			OCC Occupancy Sensor	FS Fuse - Slow Blow
			DOC Daylight and Occupancy Sensor	EC Emergency Circuit
				EB Emergency Battery
				EH Emergency Harness
				EPC Emergency Power Feed Cord
				BC Black Power Cord

END CAP ORDERING

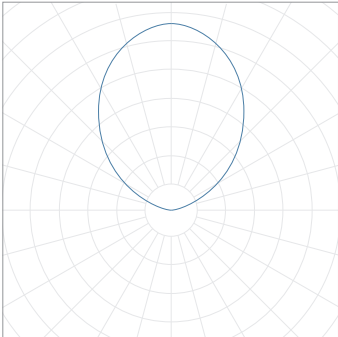
EXAMPLE: 480LP2-W EP WHT

Luminaire Type	End Cap Type	Finish
480LP2-W 2 in Wall	EP Cable Mount End Plate	WHT Low Gloss White
480LP3-W 3 in Wall		
480LP4-W 4 in Wall		

PERFORMANCE *All data shown is nominal*

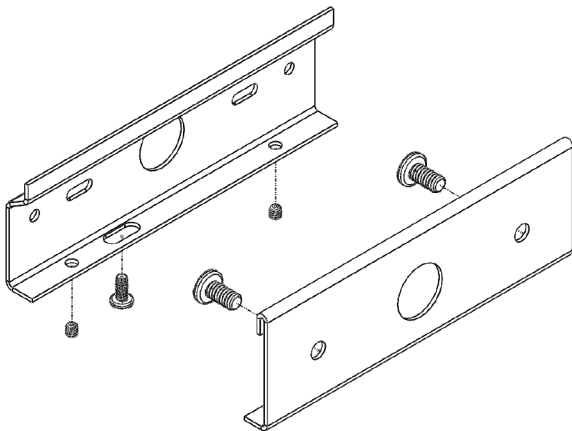
	CCT	M/P Ratio	CRI	R9	Lumen Output (Lm)	Watts (W)	Efficacy (Lm/W)	Lumen Per Foot (Lm/ft)
2 in Lupine	5000K	0.93 ± 0.02	90	50	3400	40W	85	850
	4000K	0.83 ± 0.02	90	90	3230	40W	80	807
	3500K	0.73 ± 0.02	90	90	3140	40W	78	785
	3000K	0.63 ± 0.02	90	90	3060	40W	76	765

CANDELA CURVE



- **Distribution:** 100% UP (or 100% Down)
- **Delivered Lumens:** 3500lm GoodDay (per 4ft), 480LP4-W
- **Input Watts:** 40W (per 4ft)
- **Efficacy:** 87.5 lm/W

MOUNTING BRACKET DETAIL



DIMENSIONS

