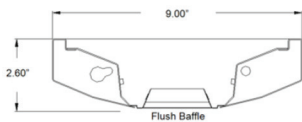
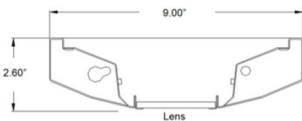


# 480 | SAPPHIRE

480SP-P | CIRCADIAN LED | INDIRECT/DIRECT | PENDANT



## FEATURES

- 480 features circadian lighting inspired by natural sunlight to promote focus and alertness throughout the day, enhance performance and support the natural sleep-wake cycle.
- Select either a dynamic or static light source based on your application. The dynamic light source (two channels) transitions from blue-enhanced light, GoodDay®, to promote alertness and productivity during the day and blue-depleted, GoodNight®, in the evening to reduce circadian clock disruption. The dynamic source is ideal for spaces occupied 24/7, such as senior living communities, hospitals or offices with shift work. The static, GoodDay, light source option is suited for applications that are more daytime intensive, such as schools and 9-5 office spaces.
- 5000K GoodDay LEDs deliver the highest M/P ratio for maximum alerting effects, but additional CCTs are available, including 4000K, 3500K and 3000K. Even at the warmer CCTs, Healthē delivers more circadian impact than standard LEDs at the same CCT.
- Intensity and spectrum (for dynamic) are controlled via 0-10V inputs for simple integration with a building's control system.
- Variable indirect/direct distributions are available to achieve application specific lighting criteria.
- Indirect LED source features a wide batwing distribution to uniformly illuminate the ceiling and create volume in a space.
- Direct source shielding options include a diffuse lens or flush baffle for reduced glare.
- 4ft and 8ft individual units may be joined end to end to form linear runs reducing installing costs by requiring only a single power drop per linear run (run length restrictions apply).
- A complementary wall luminaire is also available.

**SPECIFICATIONS\***

SOURCE	
LED	STATIC GoodDay Engineered Spectrum DYNAMIC GoodDay & GoodNight Engineered Spectrum
Delivered Lumens	4858lm GoodDay, 4181lm UP   677lm DOWN 3644lm GoodNight, 3133lm UP   511lm DOWN (DYNAMIC ONLY)
CCT	5000K, 4000K, 3500K or 3000K GoodDay 2200K or 2700K GoodNight
CRI	88
Color Spatial Uniformity	≤ 5x SDCM
Melanopic/Photopic (M/P) Ratio	0.90 GoodDay 0.33 GoodNight
Lifetime	50,000 Hours

OPTICAL	
Indirect	Optical film produces wide batwing distribution
Direct	Diffuse lens and optical film, or glare reducing flush or drop baffle

ELECTRICAL	
Power Consumption	50W (per 4ft)
Delivered Efficacy	97 lm/W
Voltage	120-277V
Power Factor	> 0.9
Control Protocol	0-10V, linear
Dimming Range	10-100%

MECHANICAL	
Housing	Formed Steel
End Caps	Flat Steel, no exposed fasteners
Finish	Matte white powder coated
Connectors	Quick connects
Cable Suspension	24-150in adjustable cable or Stem mount

CERTIFICATIONS & WARRANTY	
Certifications	UL Listed
Warranty	5 year limited

\* All data shown is nominal



**LUMINAIRE ORDERING**

EXAMPLE: (2) 480SP-P-L-8-22-50-Z-MVO-WHT; (2) 8ft sections for a 16ft row

Luminaire Type	Shielding	Length (nominal)	CCT Channel 1	CCT Channel 2	Control
480SP-P Pendant	L Lens	4 4 ft	Blank None (for static, GoodDay only)	50 5000K GoodDay	Z 0-10V (2) Intensity & CCT
	FB Flush Baffle	8 8 ft	22 2200K GoodNight 27 2200K GoodNight	40 4000K GoodDay 35 3500K GoodDay 30 3000K GoodDay	

Voltage	Distribution	Finish	Integrated Sensor	Options
MVO 120-277V	Blank Standard 85/15 I/D	WHT Matte White	Blank None	Blank None
	64 60/40 I/D		DAY Daylight Sensor	FF Fuse - Fast Blow
	44 50/50 I/D		OCC Occupancy Sensor	FS Fuse - Slow Blow
	37 30/70 I/D			EC Emergency Circuit

**POWER FEED & HARDWARE ORDERING**

EXAMPLE: (1) SFD-Y-9C-FA-36-MVO-GDN, (2) NP-Y-9C-FA-36; (1) Standard power feed with cable (2) Additional suspension cables for 16ft row

Kit	Suspension Type	Ceiling	Adjustability
SFD Standard Power Feed	Y Two Point Cable	HC Hard Ceiling	Blank Stem Mount
ECF Emergency Circuit Feed	S Stem Mount	SC Screw Set Clip	FA Fully Adjustable
NP Non-power Feed		15C 15/16" Tee Clip 9C 9/16" Tee Clip	

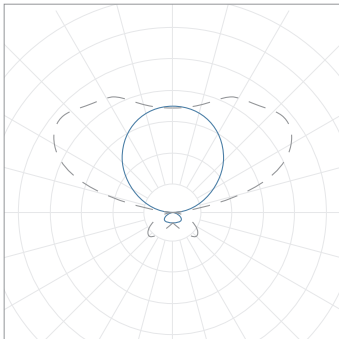
Length	Voltage	Wiring
18 24 in	Blank Non-power feed	Blank Non-power feed
24 30 in	MVO 120-277V	GDN 0-10V (2) Intensity & CCT
36 42 in		
72 78 in		
144 150 in		

**END CAP ORDERING**

EXAMPLE: (1) 480SP-P-FEP; (1) End Cap Kit for 16ft row

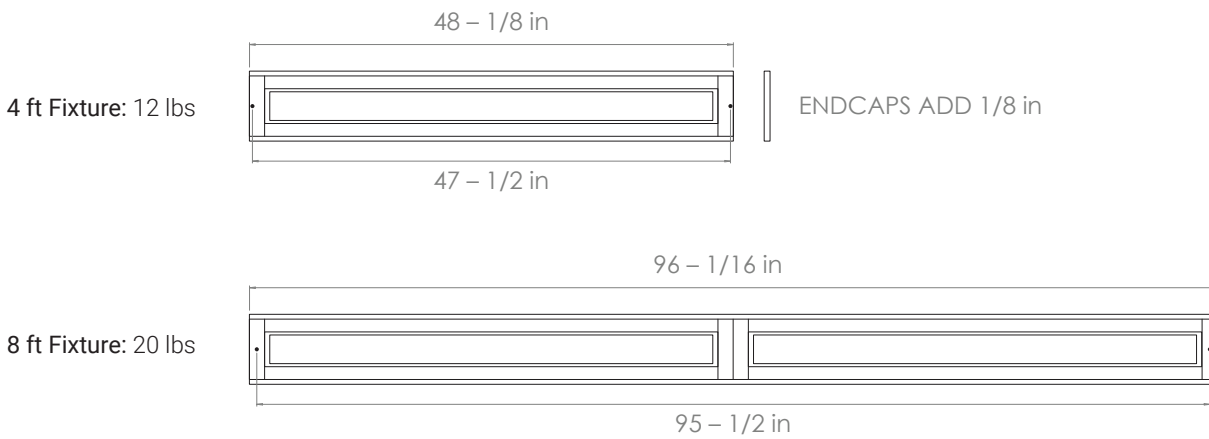
Luminaire Type	End Cap Type	Finish
480SP-P PENDANT	FEP FLAT END PLATE	WHT WHITE

**PERFORMANCE**

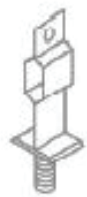


- **Distribution:** 80% UP/20% DOWN
- **Delivered Lumens:** 4858lm GoodDay® (per 4ft)
- **Input Watts:** 50W (per 4ft)
- **Efficacy:** 97 lm/W

**DIMENSIONS**



**MOUNTING TYPES**



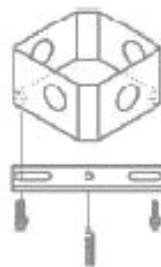
9/16 in  
Tee Clip



15/16 in  
Tee Clip



Screw Slot  
Tee Clip



J Box by Others

Mounting Strap