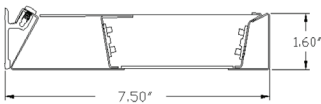


# 480 | SKY

480SK-W | CIRCADIAN LED | INDIRECT/DIRECT | WALL



## FEATURES

- 480 features circadian lighting inspired by natural sunlight to promote focus and alertness throughout the day, enhance performance and support the natural sleep-wake cycle.
- Select either a dynamic or static light source based on your application. The dynamic light source (two channels) transitions from blue-enhanced light, GoodDay®, to promote alertness and productivity during the day and blue-depleted, GoodNight®, in the evening to reduce circadian clock disruption. The dynamic source is ideal for spaces occupied 24/7, such as senior living communities, hospitals or offices with shift work. The static, GoodDay, light source option is suited for applications that are more daytime intensive, such as schools and 9-5 office spaces.
- 5000K GoodDay LEDs deliver the highest M/P ratio for maximum alerting effects, but additional CCTs are available, including 4000K, 3500K and 3000K. Even at the warmer CCTs, Healthē delivers more circadian impact than standard LEDs at the same CCT.
- Intensity and spectrum (for dynamic) are controlled via 0-10V inputs for simple integration with a building's control system.
- Asymmetric indirect LED source uniformly illuminates the ceiling to create volume in a space.
- Direct source shielding features a diffuse lens and optical film.
- 4ft and 8ft individual units may be joined end to end to form linear runs reducing installing costs by requiring only a single power drop per linear run (run length restrictions apply).
- Complements the SKY pendant luminaires.

**SPECIFICATIONS\***

SOURCE	
LED	STATIC GoodDay Engineered Spectrum DYNAMIC GoodDay & GoodNight Engineered Spectrum
Delivered Lumens	3610lm GoodDay, 2960lm UP   650lm DOWN 2707lm GoodNight, 2220lm UP   487lm DOWN (DYNAMIC ONLY)
CCT	5000K, 4000K, 3500K or 3000K GoodDay 2200K or 2700K GoodNight
CRI	88
Color Spatial Uniformity	≤ 5 x SDCM
Melanopic/Photopic (M/P) Ratio	0.90 GoodDay 0.33 GoodNight
Life	50,000 Hours

OPTICAL	
Indirect	LED board orientation and optical film produces asymmetric distribution
Direct	Diffuse lens and optical film

ELECTRICAL	
Power Consumption	49W (per 4ft)
Delivered Efficacy	74 lm/W
Voltage	120–277V
Power Factor	> 0.9
Control Protocol	0-10V, linear
Dimming Range	10-100%

MECHANICAL	
Housing	Formed Steel
End Caps	Flat Steel, no exposed fasteners
Finish	Matte white powder coated
Connectors	Quick connects
Wall Bracket	Extruded Aluminum

CERTIFICATIONS & WARRANTY	
Certifications	UL Listed
Warranty	5 year limited

\* All data shown is nominal



**5 YEAR LIMITED WARRANTY**



**MADE IN THE USA**



**LUMINAIRE ORDERING**

EXAMPLE: (2) 480SK-W-L-8-22-50-Z-MVO-WHT; (2) 8ft Sections for a 16ft row

Luminaire Type	Shielding	Length (nominal)	CCT Channel 1	CCT Channel 2
<b>480SK-W</b> Wall Mount	<b>L</b> Lens	<b>4</b> 4 ft <b>8</b> 8 ft	<b>Blank</b> None (for static, GoodDay only) <b>22</b> 2200K GoodNight <b>27</b> 2200K GoodNight	<b>50</b> 5000K GoodDay <b>40</b> 4000K GoodDay <b>35</b> 3500K GoodDay <b>30</b> 3000K GoodDay

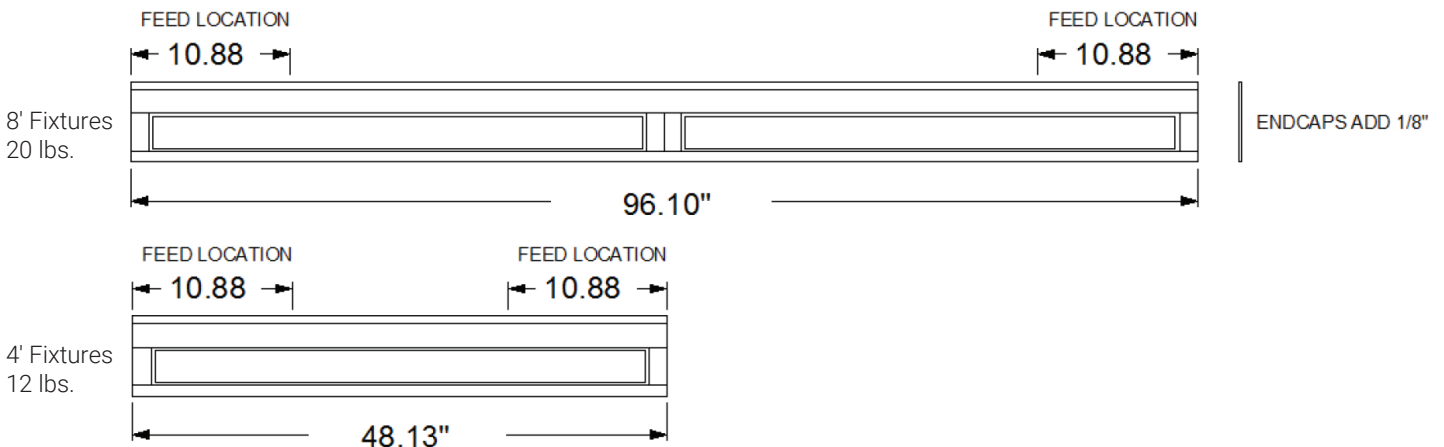
Control	Voltage	Finish	Integrated Sensor	Options
<b>Z</b> 0-10V (2) Intensity & CCT	<b>MVO</b> 120-277V	<b>WHT</b> Matte White	<b>Blank</b> None <b>DAY</b> Daylight Sensor <b>OCC</b> Occupancy Sensor	<b>Blank</b> None <b>FF</b> Fuse - Fast Blow <b>FS</b> Fuse - Slow Blow <b>EC</b> Emergency Circuit <b>EB</b> Emergency Battery

**END CAP ORDERING**

EXAMPLE: (1) 480SK-W-FEP-WHT

Luminaire Type	End Cap Type	Finish
<b>480SK-W</b> WALL	<b>FEP</b> FLAT END PLATE	<b>WHT</b> WHITE

**DIMENSIONS**



MOUNTING DETAIL

