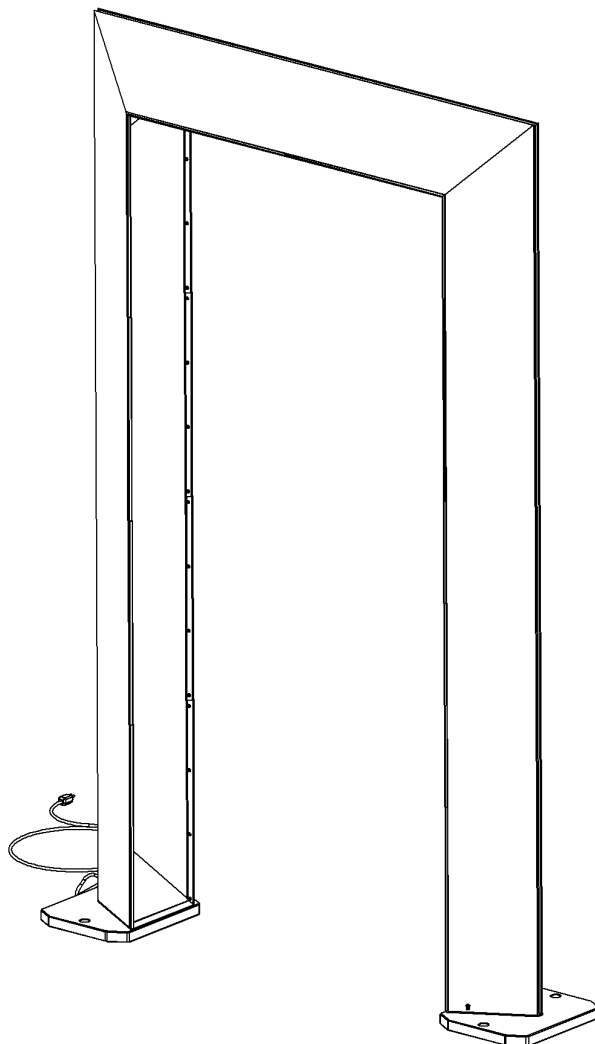


Healthē Entry User Guide

formerly Cleanse Portal



UV
Sanitizing
Portal


FG-09006

PACKING LIST:

- Side Frame Assembly x 2
- Top Frame Assembly x 1
- Corner Motion Control Assembly x 2
- #6-32 x 1/2" Flat Head Screw x 8
- 1/4"-20 x 3/4" Security Head Screw x 6

TOOLS NEEDED:

- T27 Security Torx wrench
- #2 Philips head screw driver

 Please review all parts and hardware before disposing of any packaging. Please use recommended tools for assembly.

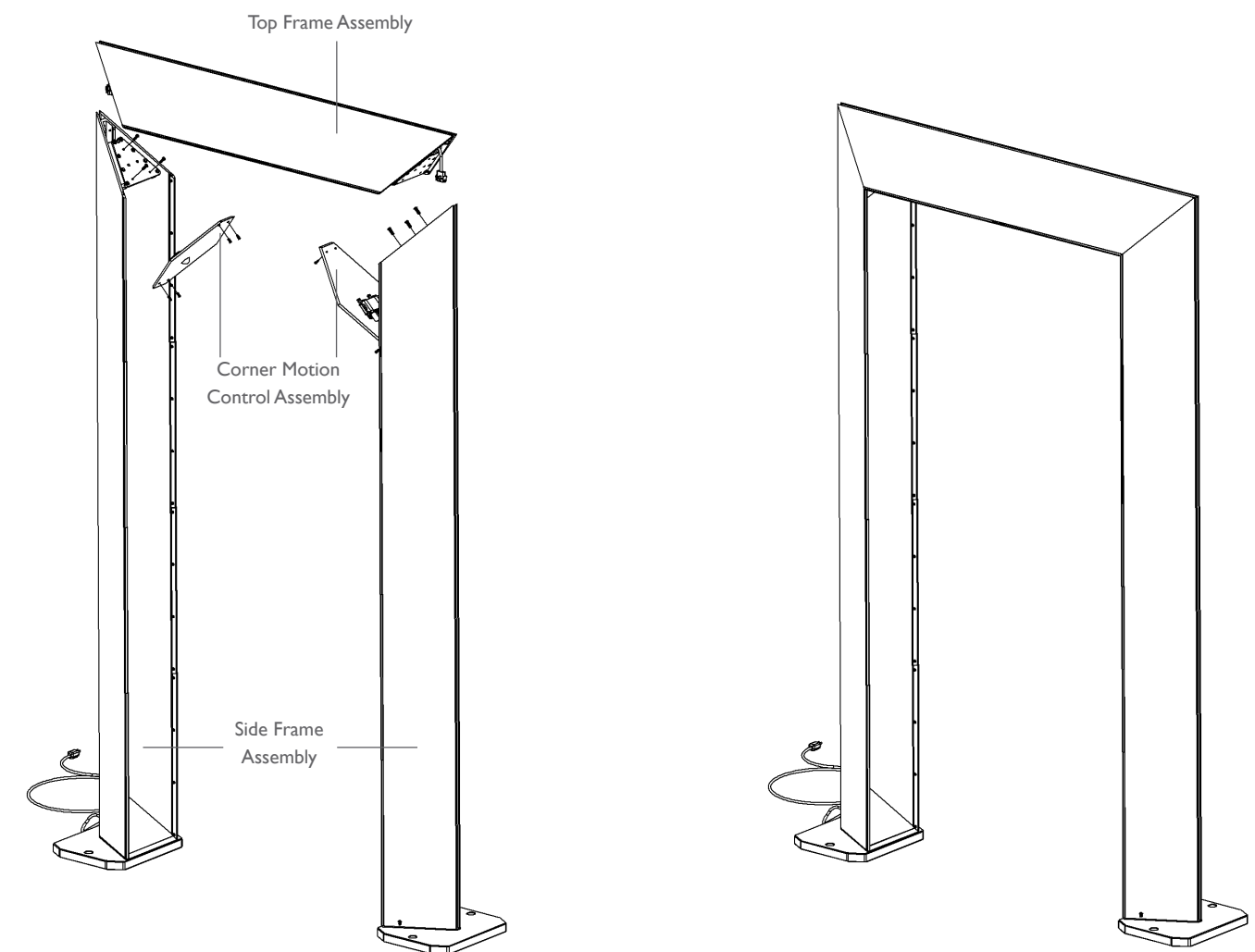
IMPORTANT SAFETY INSTRUCTIONS

This product has 3-prong plug that allows a grounding wire to be connected from the electrical circuit to the product. The grounding wire is connected to the third prong of the plug. When the 3-prong plug is plugged into the receptacle, the grounding wire is connected to the prong and provides a continuous grounding path from the product back to the breaker box. This grounding path serves as primary safety means if there is a short circuit or other damage to the electrical circuit or product.

CAUTION

To prevent electrical shock, match 3-prong plug to 3-prong receptacle, fully insert.

Installation Guide	3
Maintenance & Service Guide.....	6
Operating Instructions.....	7

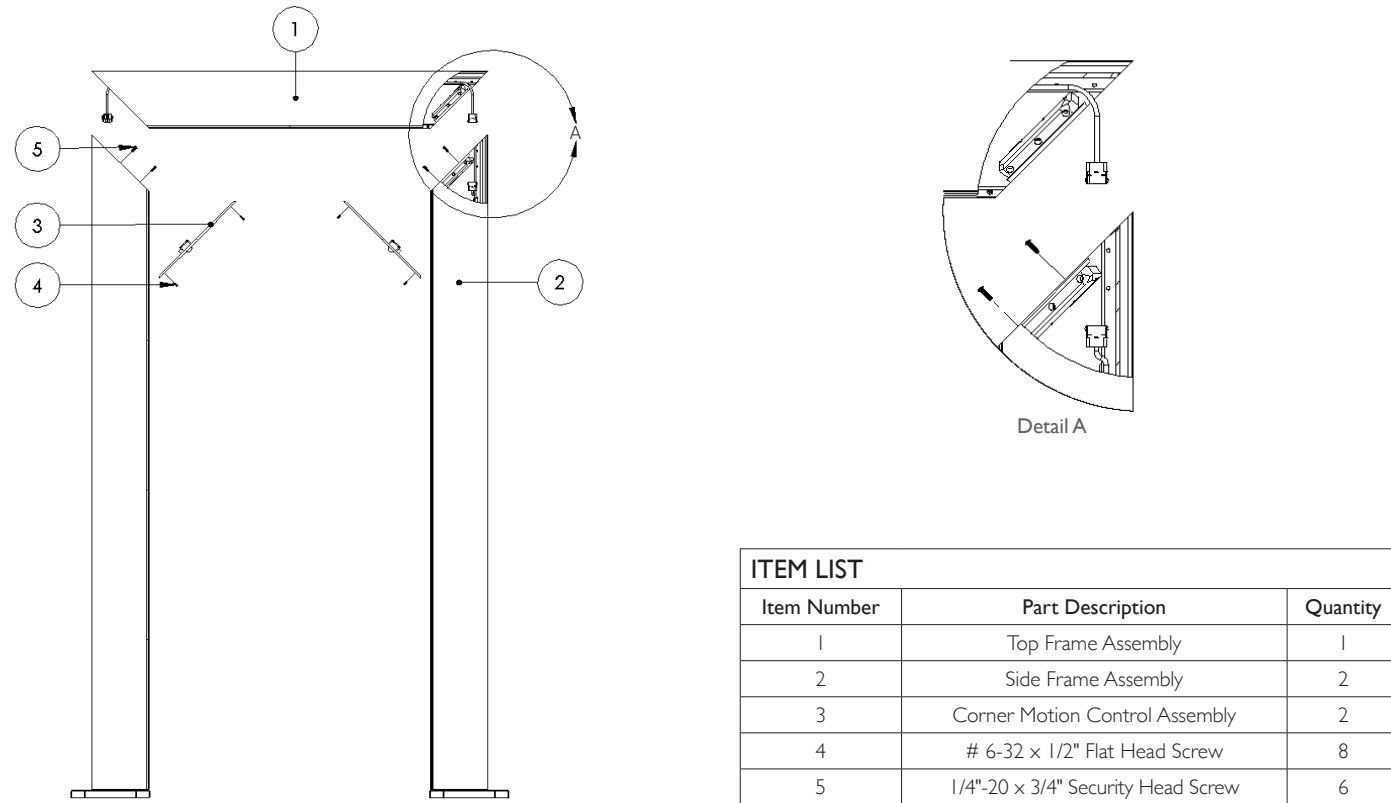


INSTALLATION - OVERALL ASSEMBLY

- At or near the desired installation location, unpack all components and verify the contents against the packing list.
- Set the two Side Frame Assembly (item 2) at 35.5" distance apart (as shown in Fig 1).
- Set the Top Assembly (item 1) on the top of the two Side Frame Assembly (as shown in Fig 1).
- Connect all electrical connections by attaching all corresponding quick connectors between Top Frame Assembly and the two Side Frame Assembly (see Fig 1 Detail A, Fig 2 Detail B)
- Fasten Top Frame Assembly and Side Frame Assemblies with 1/4"-20 x 3/4" Security Head Screws (Item 5) as shown in Fig 1.
- Connect each of the Corner Motion Control Assembly each side of the Frame using the corresponding connector (see Fig 3 Detail C).*
- Fasten the two Corner Motion Control Assembly (Item 3) with #6-32 x 1/2" Flat Head Screws (Item 4) as shown in Fig 1.
- Plug in the 3-prong plug into the power outlet.
- Locate the two (2) Power/Control switches on Side Frame Assembly. Switch 1 is located above the power cord and Switch 2 is located below the power cord. Adjust Switch 1 to desired control operation to activate the Entry as shown in Fig 3.
 - Switch 1
 - Top Position: Constant On
 - Middle Position: OFF
 - Bottom Position: Motion Controlled (Default)
 - Switch 2
 - Bottom: On (Default)
- For Switch 2 located below the power cable, please ensure the switch is ALWAYS ON THE BOTTOM position at all times. Any other position will cause the Entry to not function properly.
- While the Entry is designed to be free-standing, anchor holes are available on the base of each Side Frame Assembly and can be used to secure the Entry to the ground by using 1/4" fasteners.

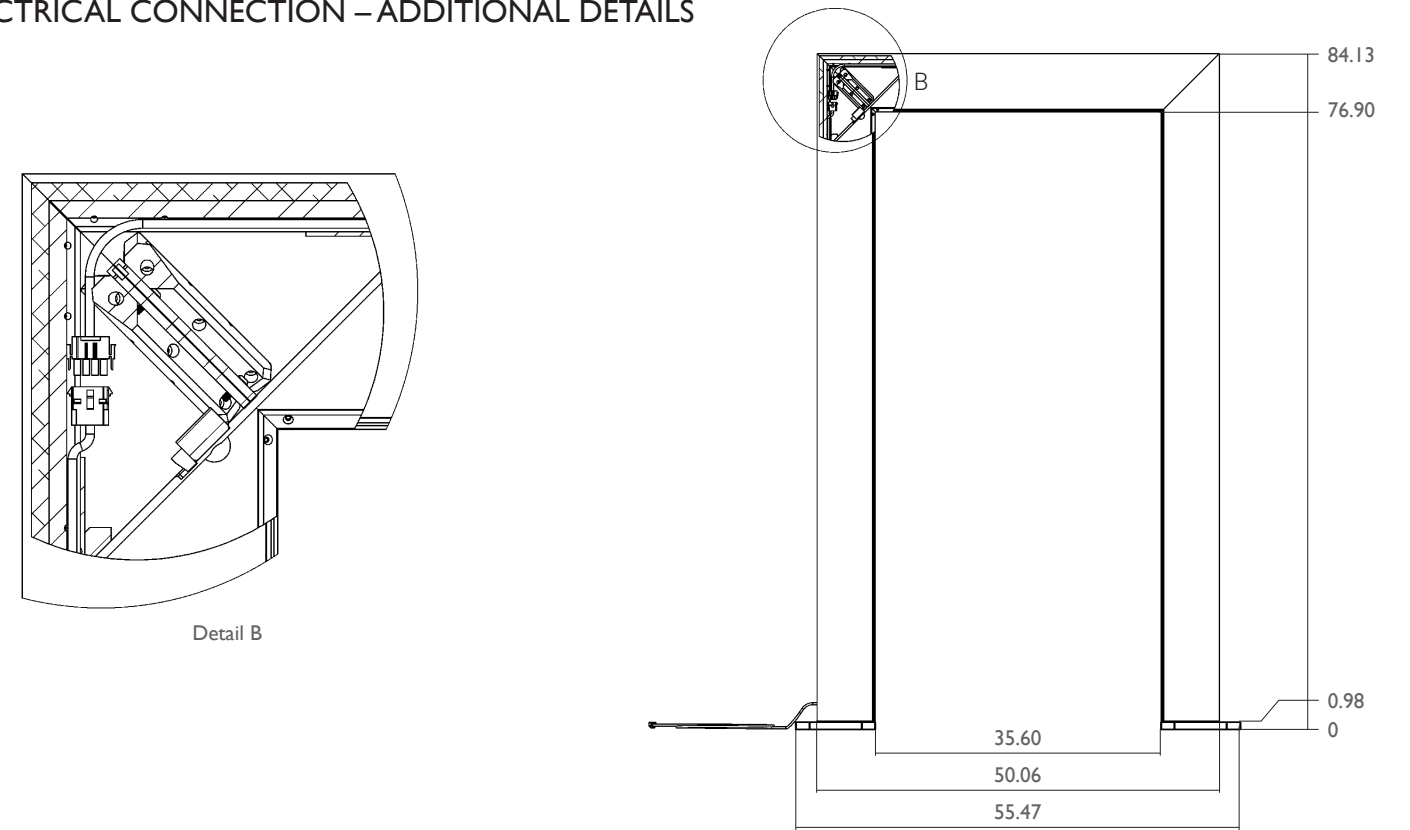
*There is no polarity requirement of Corner Motion Control Assembly installation.

Fig. 1



ELECTRICAL CONNECTION – ADDITIONAL DETAILS

Fig. 2



ADDITIONAL DIAGRAMS

Fig. 3

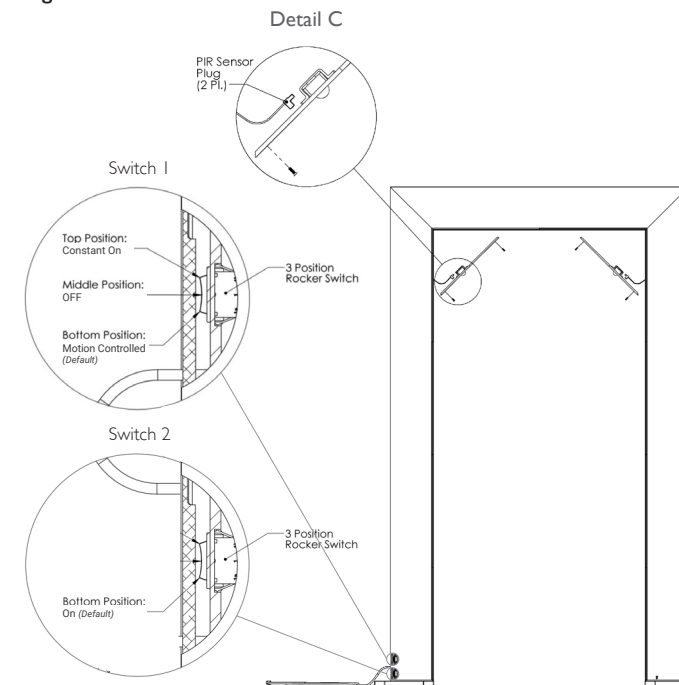
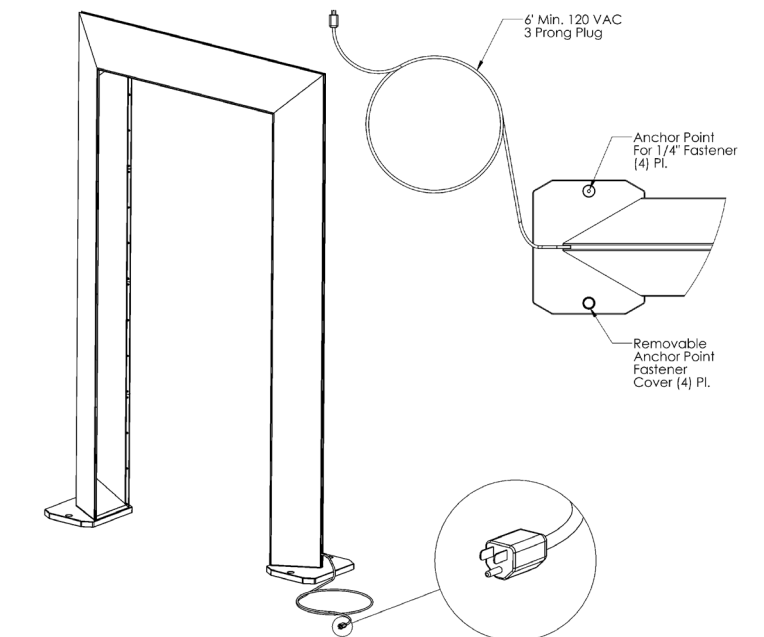


Fig. 4



CLEANING

If the surface of the lamp modules appears dusty or needs to be cleaned:

- Unplug the Entry and allow the lamp module to cool.
- Wipe the surface of each lamp module with a soft, dry anti-static microfiber cloth.

If the unit housing, but **not** the lamp modules need to be cleaned:

- Wipe down with a clean, damp cloth.

UV MODULE REPLACEMENT SCHEDULE

The replacement schedule is based on an average usage and approximate hours of operation per day.

Hours of Daily Operation	Replace the Modules Every
2 hours/day	32 months
4 hours/day	16 months
8 hours/day	8 months
12 hours/day	5 months

UV MODULE REPLACEMENT PROCESS

1. Before starting, unplug the power cord and make sure the Entry is off.
2. Uninstall both Corner Motion Control Assembly by unscrewing the two (2) Security Head screws and disconnect the quick connector for each (See Fig 1).
3. Locate and remove all the screws that attached the four (4) cover plates to the Side Frame Assembly. Remove the 4 cover plates (See Fig 2).
4. Locate and remove all the screws that attached the two (2) cover plates to the Top Frame Assembly. Remove the 2 cover plates (See Fig 3).
5. Locate and disconnect the UV Module quick connectors from the Frame Assembly.
6. Remove all the screws that attached the UV Module to the Frame Assembly and uninstall the old UV Module (See Fig 4).
7. Connect the new UV Module via the quick connector and install into the Frame Assembly with its corresponding screws (See Fig 4).
8. Repeat steps 5, 6, and 7 to replace the remaining UV Modules.
9. Once all UV modules have been replaced, attach the four (4) cover plates with its corresponding screws to the respective Side Frame Assembly (See Fig 2)
10. Attach the two (2) cover plates with its corresponding screws to the Top Frame Assembly (See Fig 3)
11. Connect the two Corner Motion Control Assembly via the quick connectors and install into the Entry with its corresponding screws (See Fig 1).

Fig. 1

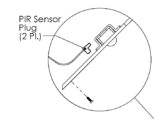


Fig. 2

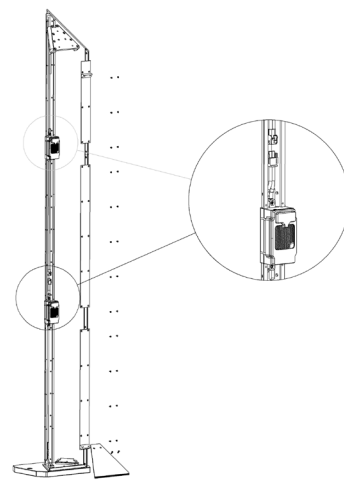


Fig. 3

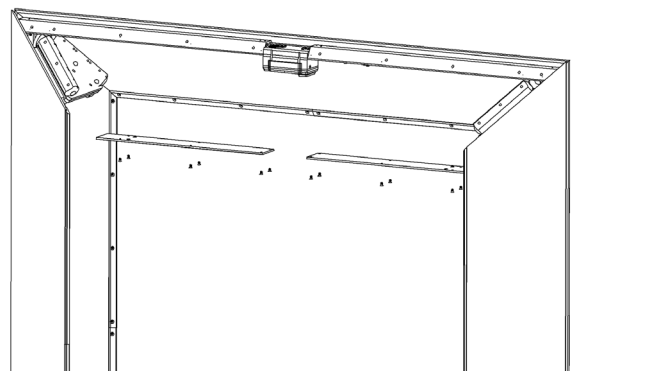
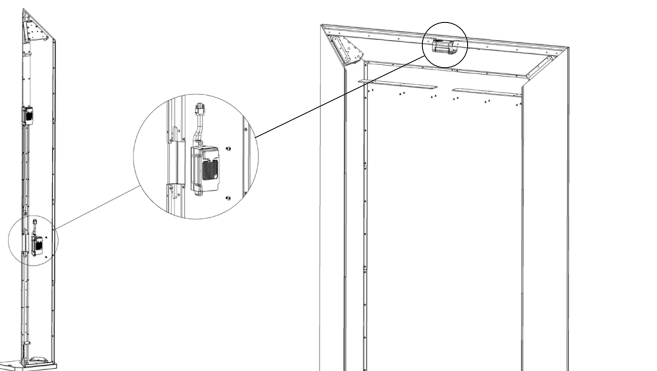


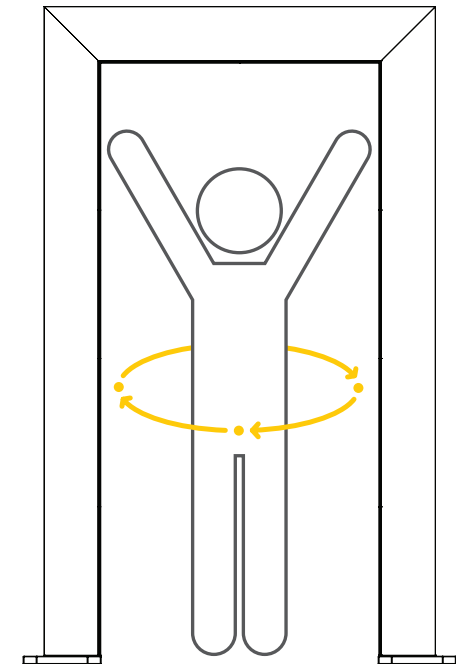
Fig. 4



ENTRY OPERATING INSTRUCTIONS

The recommended minimum exposure to reduce surface microbes is 20 seconds per person. A four-point, 360 degree turn within the Entry is recommended for maximum coverage.

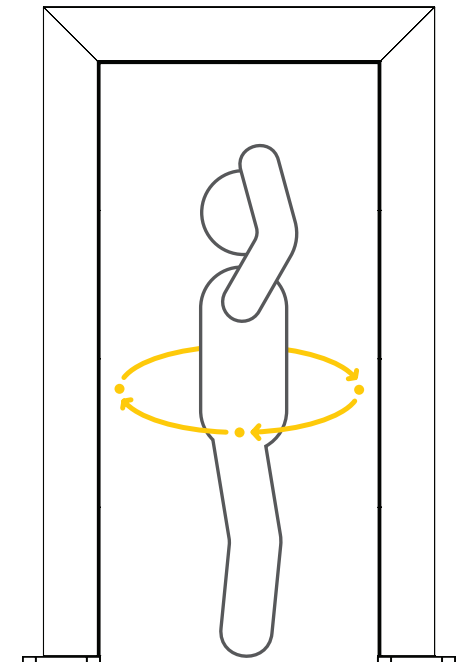
1. Enter the center of the Entry and raise your arms with a posture similar to that used in an airport scanner. Stand for 5 seconds.
2. Keeping your arms raised, rotate within the Entry 90 degrees to face the side. Stand for 5 seconds.
3. Rotate again 90 degrees to face the back. Stand for 5 seconds.
4. Rotate a final 90 degrees to face the opposite side. Stand for 5 seconds.
5. Your 20 second cleanse cycle is now complete, and you may exit.












GUÍA DEL USUARIO DEL ENTRY

La exposición mínima recomendada para reducir los microbios de la superficie es de 20 segundos por persona. Se recomienda un giro de cuatro puntos o 360 grados dentro del Entry para obtener la máxima cobertura.

1. Ingrese al centro del Entry y levante los brazos con una postura similar a la utilizada en un escáner de aeropuerto. Párate por 5 segundos.
2. Manteniendo los brazos levantados, gire dentro del Entry 90 grados para mirar hacia un lado. Párate por 5 segundos.
3. Gire nuevamente 90 grados para mirar hacia atrás. Párate por 5 segundos.
4. Finalmente gire 90 grados para mirar el lado opuesto. Párate por 5 segundos.
5. Su ciclo de limpieza de 20 segundos ahora está completo y puede salir.



Safety Notes

-  **WARNING:** Risk of Injury and Burn Hazard. DO NOT touch the surface of the UVC module while the Entry is powered on or immediately after powered off.
-  **CAUTION:** The Far-UVC source has not been tested for photosensitive individuals or those exposed to photo-sensitizing agents.
-  **CAUTION:** The Healthe Entry may help to reduce the number of germs and microbes, but it will not eliminate them completely.
-  **NOTE:** The Healthe Entry is designed to sanitize clothing and personal belongings of people inside the Entry using far ultraviolet C (Far-UVC). Research have shown Far-UVC light to be as or more effective in inactivating microbes than UVC light. Unlike conventional UVC, Far-UVC does not require use of UV protective equipment. ^{[1] [2] [3]}
-  **NOTE:** The actual inactivation rate of microbes on surfaces will vary based on the type of microorganisms and the length of exposure time inside the Entry.
-  **NOTE:** Based on American Conference of Government Industrial Hygienists (ACGIH) Threshold Limit Values (TLV), the recommended maximum human exposure time is 15 minutes over an 8-hour day, which equates to (45) 20-second passes through the Entry.
-  **NOTE:** The use of Healthe Entry is an adjunct and not intended as a replacement or modification to an existing cleaning and sanitization program.
-  **NOTE:** Far-UVC emitter has a nominal operational life of >3000 hours. The emitter radiates a dim violet glow during operations. If the visible dim violet glow is no longer detected, the Far-UVC module must be replaced. Please refer to the UV Module Replacement section in the Usage Guide for reference.
-  **NOTE:** In the event the Far-UVC module malfunctions or fails, please contact the manufacturer for replacement.

FDA DISCLAIMER – FOOD AND DRUG ADMINISTRATION STATEMENT

The statements made within this manual have not been evaluated by the U.S. Food and Drug Administration. These statements and the products of this company are not intended to diagnose, treat, cure or prevent any disease.

Not for sale or distribution in Hawaii, Indiana, New Mexico, Wyoming, and US Territory of Puerto Rico.

REFERENCES

[1] Welch, D., Buonanno, M., Grilj, V. et al. Far-UVC light: A new tool to control the spread of airborne-mediated microbial diseases. *Sci Rep* 8, 2752 (2018). <https://doi.org/10.1038/s41598-018-21058-w>

[2] Buonanno, M., Ponnaiya, B., Welch, D. et al. Germicidal Efficacy and Mammalian Skin Safety of 222-nm UV Light; Columbia University Medical Center; 2017; <https://pubmed.ncbi.nlm.nih.gov/28225654/>

[3] Manuela Buonanno, David Welch, Igor Shuryak, David J. Brenner; Far-UVC Light Efficiently and Safely Inactivates Airborne Human Coronaviruses; Columbia University Medical Center; 2020; <https://www.researchsquare.com/article/rs-25728/v1>

