

SunTrac[®] Connect Output 0–10V

STCT | SunTrac | 0–10V | Output



Features

- 1 Translates SunTrac's proprietary bluetooth mesh signals to 0-10V commands for lighting control
- 2 Effortlessly transform Healthē's 480 Dynamic Circadian architectural linears to SunTrac capable, expanding luminaire offerings for the SunTrac Ecosystem
- 3 Link multiple luminaires to a single Connect Output to create lighting designs, groups, and zones while simplifying installation during new construction
- 4 Convert any 3rd Party 0-10V luminaire, including tunable white, into a SunTrac controllable fixture
- 5 Simple deployment, setup, and configuration via SunTrac App for iOS
- 6 Compact and lightweight allows attachment to any suitable location with provided double-sided tape

≡ Specifications All data shown is nominal

Electrical

Input Voltage	90–277 VAC
Frequency	47–63 Hz
Inrush Current	90A max. @ 240VAC, Cold Start @ 25C
Input Current	0.25A max
Holdup Time	12 ms typ. @ 115VAC
Short Circuit Protection	Hiccup Mode (Auto Recovery)
Isolation Voltage (Input to Output)	3000VAC
Total Power Consumption	5W Max.

Wireless & Control

BLE Protocol	Multi-protocol Bluetooth 5
Dimming Protocol	0–10V Analog
Analog Output Voltage Channel -1 (DIM1+/DIM1-)	0–10V
Analog Output Voltage Channel -2 (DIM2+/DIM2-)	0–10V
Radio Operation Frequencies	2.360–2.500 GHz
Radio On-Air Data Rate	1–2 Mbps
Radio Output Power	+18.9 dBm (with external PA)
Receiver Sensitivity	-96 dBm (ideal transmitter)

Mechanical

Housing Material	Polycarbonate, 5VA
Housing Finish	White, Matte
Mounting	Mountable with double-sided tape
Wire Connection (AC input)	Free hanging wires
Wire Connection (DIM output)	Wire Terminals
Dimensions	3.5 x 3.0 x 1.5 in
Weight	TBD
Operating Temperature	-20–50 C
Mounting	-40–85 C
Humidity	20–90% RH non-condensing

Certifications & Warranty

Certification	ETL, FCC, RoHS
Warranty	1 Year



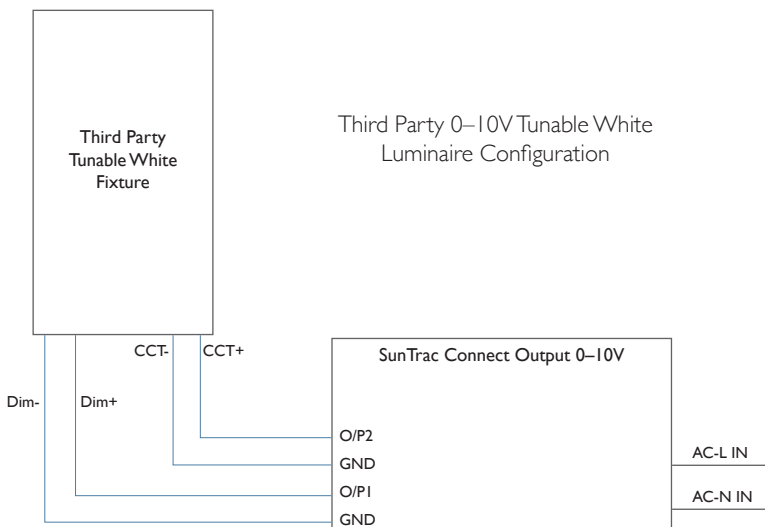
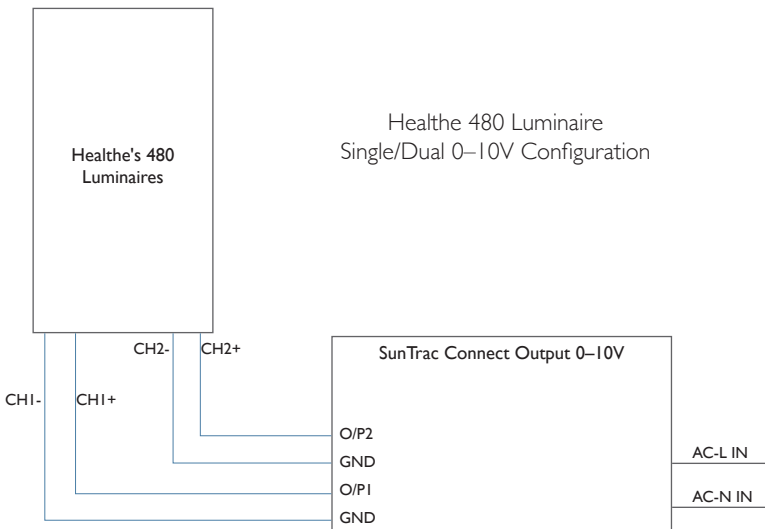
**1 Year Limited
Warranty**

Ordering

Example: STCT Z O

Product Name	Control	Signal Direction
STCT SunTrac Connect	Z 0–10V	O Output

Wiring Diagrams



©2020 Healthe Inc.
All Rights Reserved.
Specifications subject to
change without notice.

STCT_O_SpecSheet_091620