

Healthē[®] Space

HESP | Far-UVC | Sanitization | 6 Inch Retrofit



☰ Features

- 1 Far-UVC technology effectively penetrates and inactivates air and surface microbes and is safe for human exposure
- 2 Chemical-free process continuously improves air quality
- 3 Select from three sanitization modes that work with an integral PIR motion sensor; including Far-UVC on for 30 minutes every hour; or Far-UVC only on in unoccupied spaces
- 4 Integrated general illumination features a boost at 435nm to help activate the antimicrobial properties of TiO₂ surface coatings and cleaners
- 5 Retrofit any 6 in conventional recessed can fixture to a sanitization downlight
- 6 Made in USA and Trade Agreement Act (TAA) compliant, it is a qualified solution for government projects. Certificates of origin are available upon request

≡ Specifications All data shown is nominal

UV Sanitization Source

Wavelength	222 nm
Type	FAR-UVC Emitter
Quantity	One (1)
Service Life	>3000 Hrs

Illumination Source

LED	Standard White LEDs with a peak at 435 nm to activate antimicrobial properties of TiO ₂ coatings and cleaners
CCT	4000K and 3000K
Lumen Output	600 Lm
CRI	>90
R9	>50
Color Chromaticity	SDCM ≤ 5
LED Lifetime to L80	>69,000 Hours

Optical

Lens	Acrylic
------	---------

Electrical

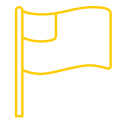
Input Voltage	120–277 V
Frequency	50/60 Hz
Power Consumption	20W Total (10W UVC, 10W Visible Light)
Efficacy	60Lm/W (Visible Light Only)
Dimmable	Preset light levels selectable via IR remote* (100%, 75%, 50%, and 25%)
Power Factor	≥ 0.9
THD	< 20%
Control Protocol	Integral PIR motion sensor and IR remote* for initial operation mode selection
Mode of Operations	3 Sanitization Modes selectable using IR remote* (See Modes of Operation section for details) Mode A: Unique Scenarios Mode B: Far-UVC ON limited time when motion detected Mode C: Far-UVC OFF when motion detected

Mechanical

Housing	Polycarbonate Housing with Aluminum Trim
Finish	Matte White
Dimensions	4.10 x 3.05 in (Dia x H)
Weight	1 lb
Interior Dimensions	- 20C / + 40C (tCase)
Mounting	Retrofit for 6 in recessed can with medium E26 base**

Certifications & Warranty

Regulatory	In Process
Warranty	6 Month Limited



Made in the USA



6 Month Limited Warranty

** IR remote required and sold separately. (1) remote can control an unlimited number of Healthē Space downlights and recommend minimum one per job/order. See Accessories Ordering for details.
** May not be compatible with recessed cans using parabolic reflectors. Please check and confirm with existing fixture before proceeding.*

Ordering

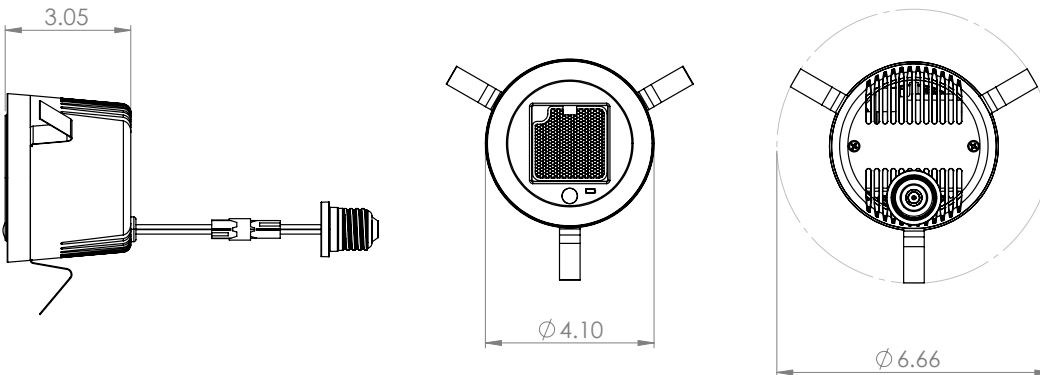
Example: HESP 6 FUV 40 MVO WH

Model HESP Healthe Space	Size 6 6 IN	Sanitization FUV Far-UVC
CCT 30 3000K 40 4000K	Voltage MVO 120–277 V	Color WH White

Accessories Ordering

Part Number	Description
ACC-090021	Healthe IR Remote—Remote required and sold separately. (1) remote can control an unlimited number of Healthe Space downlights and recommended minimum one per job/order.

Dimensions



©2020 Healthe Inc.
All Rights Reserved.
Specifications subject to
change without notice.

Space_SpecSheet_100620



Healthē[®] has found a way to *bring UVC 222 down to Earth* and into your life.

222 is a frequency of light that inactivates up to

99.9%*

of viruses and bacteria including coronaviruses

*Dependent on UVC exposure time and proximity to light

Healthē[®] solutions are



Instant







Chemical-free



Continuous

UVC 222 is safe for occupied indoor space

Comparison to traditional UVC solutions

	 healthē UVC 222NM	Others UVC 254NM
 Effective on viruses ¹	✓	✓
 Cannot penetrate skin and eyes ²	✓	✗
 Safe for occupied spaces ³	✓	✗

¹ Both Far-UVC 222 light and Traditional-UVC light can penetrate and inactivate airborne influenza and viruses, including coronaviruses. ² Studies have demonstrated that Far-UVC 222 light cannot penetrate the outer layer of human skin or the tear layer of the eye and can be an effective tool in reducing the spread of airborne microbial diseases; Direct exposure to traditional UVC light is a health hazard to human skin and eyes. ³ Far-UVC 222 lamps can sanitize occupied indoor spaces and greatly reduce the level of airborne coronaviruses; Traditional UVC lamps are only safe to use in unoccupied indoor spaces.