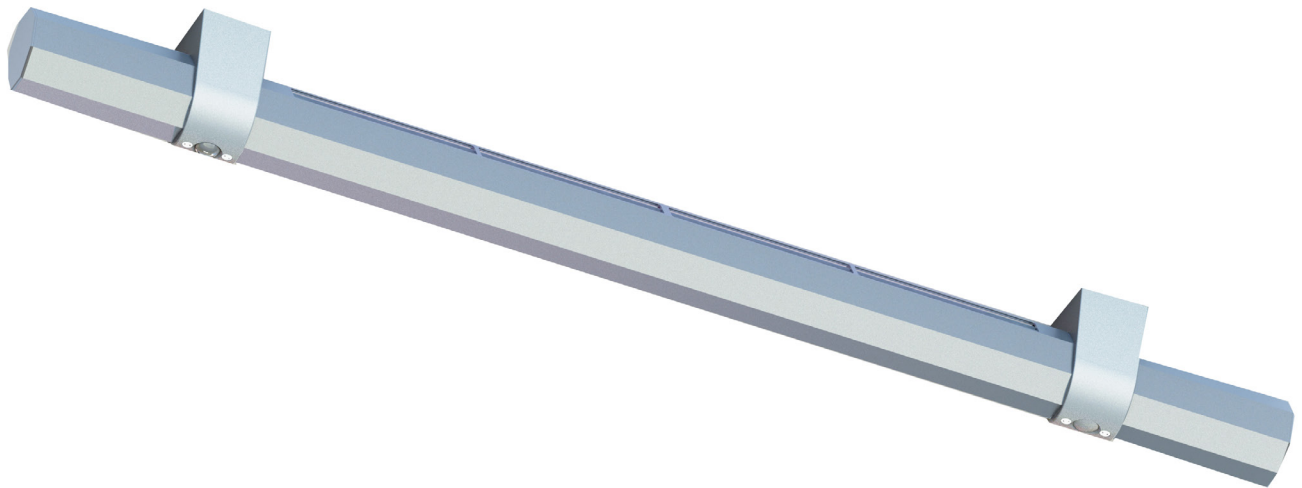


Healthē[®] CLEANSE[®]

HECL | Upper Air Sanitization | Far-UVC



Features

- 1 Features Far-UVC 222nm technology that effectively penetrates and inactivates microbes in the air while safe to use in occupied spaces
- 2 Reduces pathogen load for all indoor environments, including spaces where air ventilation is limited
- 3 Integral motion sensor triggers on-demand air sanitization and continues to sanitize for a preset duration in preparation for the next occupant
- 4 Flexible installation with option of wall, ceiling or suspended mount
- 5 Unobtrusive LED indicator will signal Far UVC lamp replacement to simplify service and maintenance
- 6 Optimal solution for high traffic areas such as elevators, restrooms, lobbies, waiting rooms, community dining rooms, and locker rooms
- 7 Simple APP required for device commission and adjustment to sanitization control

≡ Specifications All data shown is nominal

UV Sanitization Source

Wavelength	222 nm
Type	Far-UVC Emitter
Life	>10,000 hours

Electrical

Fixture Input Voltage	12 VDC
Remote Power Supply Input	120-277 VAC, 50/60Hz
Power Consumption	40 W
Sanitization Control	Triggered via integral motion sensor

Mechanical

Housing	Extruded aluminum housing
Finish	Anodized silver or anodized black
Dimensions	40.16 x 2.77 x 3.57 in
Weight	5 lbs
Mounting	Surface mount or suspended pendant

Warranty

Warranty	1 Year
----------	--------

Pathogen reduction will vary based on the type of virus or bacteria, distance from the UVC 222 source and time of direct exposure.

The term sanitization is used to indicate a general pathogen reduction and does not reference a specific log reduction as categorized by the U.S. Food and Drug Administration or Environmental Protection Agency.

Healthe CLEANSE is not currently intended for use as or for medical devices.



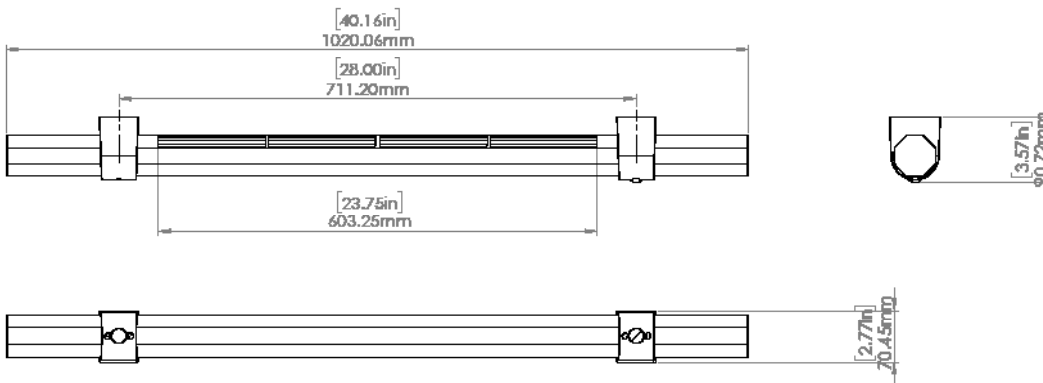
**1 Year Limited
Warranty**

Ordering

Example: HECL FUV DC S

Model		Sanitization		Voltage	
HECL	Healthe CLEANSE	FUV	Far-UVC	DC	12VDC
Color					
S	Silver				
B	Black				

Dimensions



©2021 Healthe Inc. All Rights Reserved. Specifications subject to change without notice.

CLEANSE_SpecSheet_042721



Healthē[®] has found a way to *bring UVC 222 down to Earth* and into your life.

222 is a frequency of light that inactivates up to

99.9%*

of viruses and bacteria including coronaviruses

*Dependent on UVC exposure time and proximity to light

Healthē[®] solutions are



Instant







Chemical-free



Continuous

UVC 222 is safe for occupied indoor space

Comparison to traditional UVC solutions

	 healthē UVC 222NM	Others UVC 254NM
 Effective on viruses ¹	✓	✓
 Cannot penetrate skin and eyes ²	✓	✗
 Safe for occupied spaces ³	✓	✗

¹ Both Far-UVC 222 light and Traditional-UVC light can penetrate and inactivate airborne influenza and viruses, including coronaviruses. ² Studies have demonstrated that Far-UVC 222 light cannot penetrate the outer layer of human skin or the tear layer of the eye and can be an effective tool in reducing the spread of airborne microbial diseases; Direct exposure to traditional UVC light is a health hazard to human skin and eyes. ³ Far-UVC 222 lamps can sanitize occupied indoor spaces and greatly reduce the level of airborne coronaviruses; Traditional UVC lamps are only safe to use in unoccupied indoor spaces.